



G3512 GAS GRILL



MODELS and ACCESSORIES

G3512 - Grill

- Floor stand
- Stainless steel legs
- Wall bracket
- Grid shelf / brander carrier
- Additional brander

KEY FEATURES

- High performance burner systems
 - *ideal for flashing and finishing*
- Variable heat settings
 - *save energy when full heat is not required*
- Supplied with reversible brander
 - *extends cooking versatility*
- Five position shelf runners
 - *allows flexible cooking options*
- Gastronorm compatible
 - *perfect for bulk products*
- Oil collection tray mounted upon grid shelf
 - *catches any liquid grease from brander cooking*
- Removable drip tray
 - *catches debris and grease during grilling*
- All stainless steel exterior, cast iron chamber linings
 - *easy to clean, long lasting and robust*
- Three mounting options available
 - *wall bracket, legs and grill stand*

INSTALLATION NOTES

Adequate ventilation must be provided to supply sufficient fresh air and to allow easy removal of any such products that may present a risk to health. Please consult current legislation for details that relate to specific locations.

A clearance of 150mm should be observed between appliance and any combustible wall.

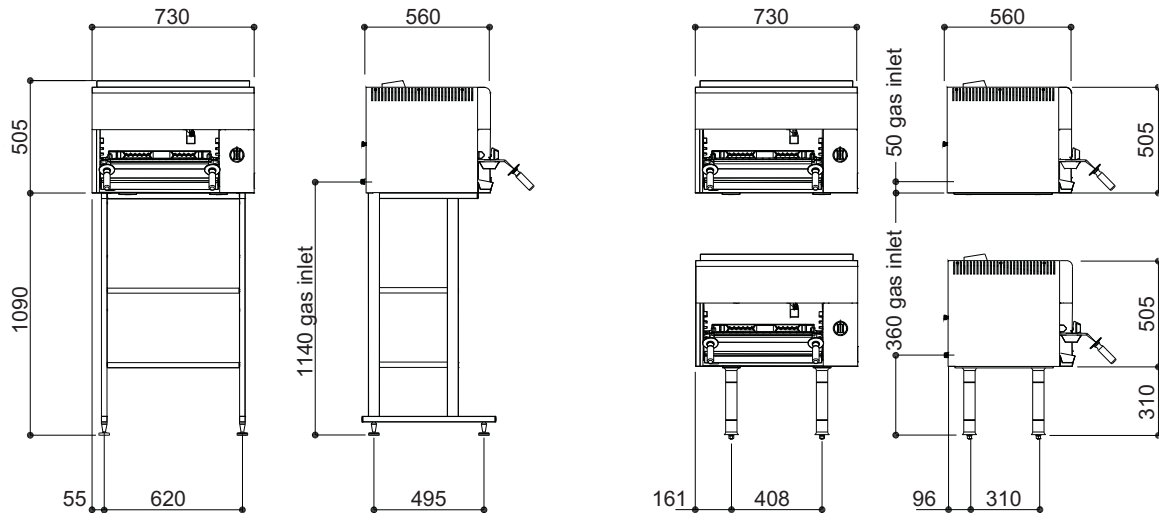




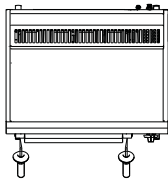
DOMINATOR PLUS

G3512 GAS GRILL

MODEL DIMENSIONS (in mm)

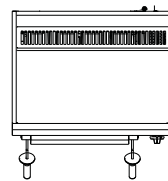


G3512 on stand



85 gas inlet

G3512 on bench legs



SPECIFICATION DETAILS

Total rating * (natural and propane - kW)	9.4
Total rating * (natural and propane - btu/hr)	32,100
Inlet size (natural and propane)	1/2" BSP
Flow rate - natural (m ³ /hr)	0.90
Flow rate - propane (kg/hr)	0.66
Inlet pressure (natural and propane - mbar)	20 / 37
Operating pressure (natural and propane - mbar)	15 / 37
Brander (w x d - mm)	450 x 410
Gastronorm compatibility	1/1
Weight (kg)	60
Packed weight (kg)	64